

**Countmaster CS 392**



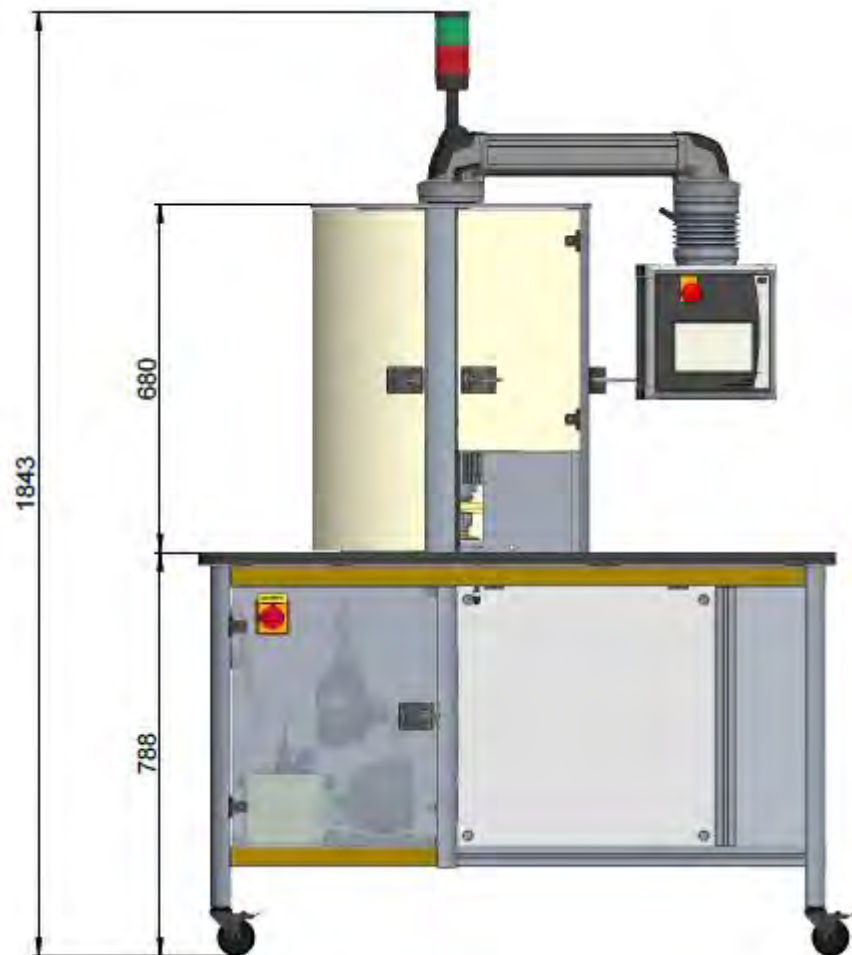
**Counting machine  
Standalone**

**Technical specification:**

Max. counting speed:	depends to disk (page 5)
Paper quality:	depends to disk (page 5)
Max. paper cutsize:	350 - 600 mm
Min. paper cutsize:	55 x 100 mm
Max. packet height:	up to 200 mm
Min. packet height:	10 mm
Electrical connection:	Single phase / 230 V N/PE AC / 50-60 Hz. (+/- 10%)
Power total:	2.1 kW
Dimensions:	1240 x 840 x 1843 mm (L x B x H)
Weight:	approx. 170 kg

**Countmaster CS 392**

Layout:



**Basic configuration:**

- Programmable Logic Controller available
- Operation and setup of the machine by multi-lingual full colour touch screen
- Easy and fast to operate
- Internal memory to store counting results
- Integrated vacuum pump
- Machine designed for heavy long time use
- Maintenance unit for compressed air
- Save your counting results on an USB
- Counting results only deletable by authorized operators (password protection)
- Counting results (good/bad) can be symbolized by colours (green/red) in the full screen of the operating display
- Maintenance friendly
- Transport rolls

## Countmaster CS 392

### Counting disk information:

Features:	Zählscheibe V8	Zählscheibe V11	Zählscheibe V12
Number of segments	6	3	3
Diameter	119,6 mm	129,6 mm	129,6 mm
Grammage	50 - 120 gramm	60 - 120 gramm	90 - 250 gramm
Paper offset	- 1 mm	- 2,5 mm	- 2,5 mm
Max. counting speed	8600 notes / min.	4300 notes / min.	4300 notes / min.
Max. counting speed with option tab inserter	-	2500 notes / min.	2500 notes / min.

**Countmaster CS 392**

**Options:**

- Special voltages (OP0036\_10392\_0)
- Integrated compressor (OP0004\_10392\_0)
- Table -prolongoation (OP0035\_10392\_0)
- Tab -insertion (OP0002\_10392\_0)
- USB, Ethernet, RS232 interface (OP0007\_10392\_0)
- Noise protection (OP0072\_10392\_0)